

ROEQ

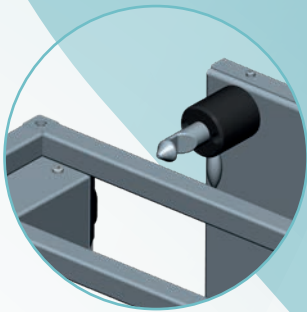
ROBOTIC EQUIPMENT

We move your business

Docking Stations

There are different docking solutions available, depending on which product is suitable for your specific facility, all of which come floor mounted or wall/machine mounted version. The "Precision" locking mechanism is suitable for Cart solutions, while the "Easy-Pull-Out" version can be used with both Cart and Rack solutions.

Docking Station Precision Floor/Wall



The Docking Station Precision is released automatically by the Top Module when the MiR100/MiR200 collects the Cart, or it can be released manually.

Fits all Cart solutions

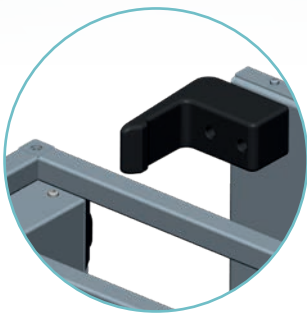


The Docking Station Precision is available in a floor mounted model (DPF), able to stand securely in free space.



The Docking Station Precision is also available for mounting on walls or machinery (DPW).

Docking Station Easy-Pull-Out Floor/Wall



The Docking Station Easy-Pull-Out ensures great flexibility in the workplace. If required, an operator can easily remove the Cart from the Docking Station and place it there again after use. The Docking Station Easy-Pull-Out is also used for the Rack solution.

Fits all Cart and Rack solutions



The Docking Station Easy-Pull-Out is available as a floor mounted model (DEF), able to stand securely in free space.



The Docking Station Easy-Pull-Out is also available for mounting on walls or machinery (DEW).

Visit our website for more information

www.roeq.dk

Maahantuoja:

POSICRAFT OY

Koulutie 19, 16300 Orimattila

puh. 03 777 4331

email: posicraft@posicraft.fi

www.posicraft.fi